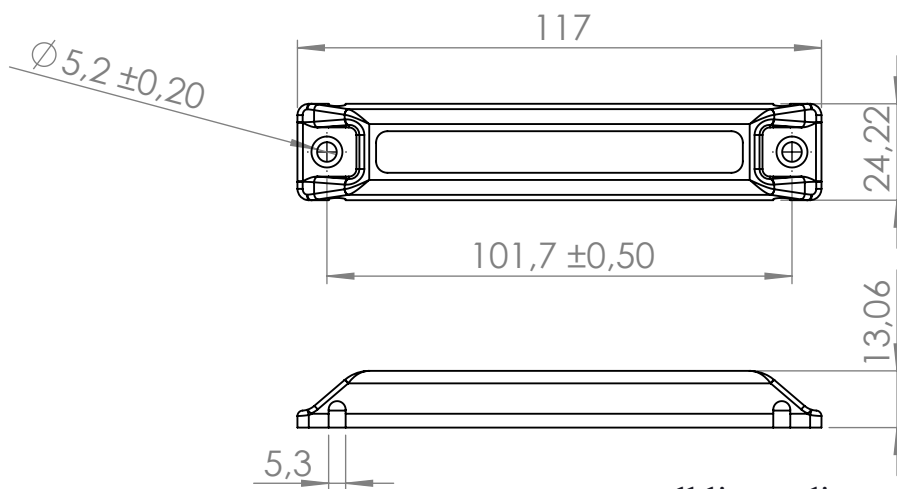


RFID-tag for metal object identification

ISBC Tags Reflect35 UHF (orange)



all linear dimensions are in millimeters

Technical specification

Electronic

Table 1

Chip code (***)	Chip	Memory type			AES-128 (cryptographic)	Reading distance */** (m)
		EPC	TID	USER		
1	NXP UCODE 8	up to 128bit	96bit	-	-	up to 27/42
2	NXP UCODE 8m	up to 96bit	96bit	32bit	-	up to 27/42
3	NXP UCODE DNA	224bit	96bit	up to 3kbit	+	up to 27/42
4	NXP UCODE City	224bit	96bit	1kbit	+	up to 27/42
5	NXP UCODE Track	448bit	96bit	256bit	+	up to 27/42
6	NXP UCODE 7xm(2k)	up to 448bit	96bit	2kbit	-	up to 27/42

RFID-tag for metal object identification

ISBC Tags Reflect35 UHF (orange)

Reading distance (on metal surface):

* **Theoretical distance of stable reading**, measured on *Voyantic Tagformance Pro* in anechoic chamber

1W measure station with antenna 8.5dBi ;

** **Experimental distance of stable reading**, *2W ERP (tests with RFID reader FEIG Electronic LRU1002 UHF EU with 9dBi antenna).*

Pay attention. Reading distance depends of many factors, including type of material of surface and its linear sizes.

Anti-collision: yes;

Air interface protocol: EPC Global Class1 Gen2 ISO 18000-6C;

Physical and personalization options

Housing material: polypropylene;

Size: 117 x 24,22 x 13,06 mm.

Weight: 20 gr.

Mounting method:

- by screws (holes 5.2 mm dia);
- with glue/adhesive;
- clamp;

Personalization by customer request:

- electronical encoding;
- laser engraving and/or durable inkjet logo;
- database uploading;

Chemical and mechanical parameters

Case protection:

IP69K - high protection against dust and moisture, additional protection against high temperature and jets of high pressure water;

Chemical and climatic resistance:

- high resistance to UV radiation;
- high resistance to acids, alcohol, vegetable and mineral oils, petroleum;
- housing material retains its characteristics at high temperatures, in conditions of high humidity, when impacted to salt mist;
- environmental stress crack resistance;

Thermal parameters

Storage: from -55°C to $+125^{\circ}\text{C}$;

Operating:

- from -25°C to $+85^{\circ}\text{C}$ - stable reading distance;
 - from -35°C to $+125^{\circ}\text{C}$ - still work, but the reading distance could be reduced.
- To be sure, please test in your application conditions;

Extremal operating tests:

- heating up to $+100^{\circ}\text{C}$, boiling about 10 minutes;
- ice frosting on -35°C climatic chamber (days).

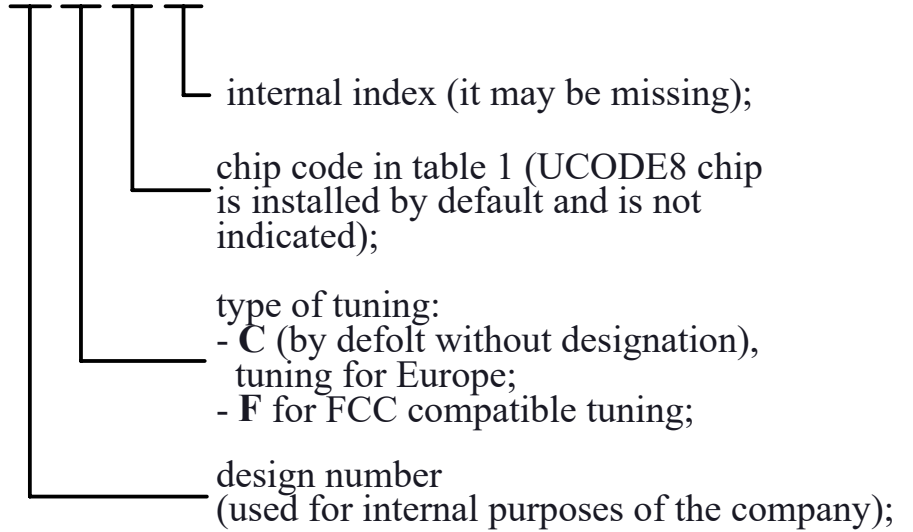
Lifetime: 20 years in case of normal usage.

RFID-tag for metal object identification

ISBC Tags Reflect35 UHF (orange)

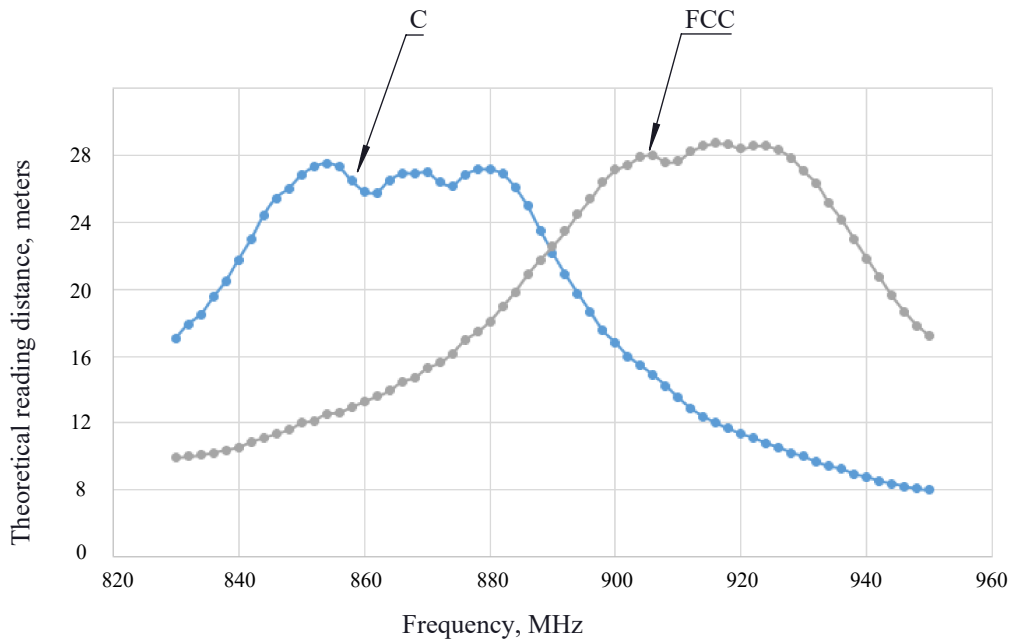
ISBC Tags Reflect designation structure

ISBC Tags Reflect35 v.X.X.X.X (i)



Example: ISBC Tags Reflect35 v.2.1.C.6(i) or ISBC Tags Reflect35 v.2.1.Ci

Graphs of theoretical reading distance depending on the type of tuning for 1W of radiating power of antenna*.



*measured on Voyantic Tagformance Pro for UCODE8 and UCODE8m chips