



CL7206B6A
Integrated Fixed Reader
User Manual (V1.0.2)

Shenzhen Hopeland Technologies Co., Ltd

Welcome to be Hopeland's user.

Thanks for choosing Hopeland's Integrated Fixed Reader CL7206B6A. We believe our device will bring convenience for your work.



CONTENTS

1	Technical specifications.....	5
1.1	Product features.....	5
1.2	Main functions & technical specifications.....	5
1.2.1	The main function.....	5
1.2.2	Performance Parameters.....	5
1.2.3	Work Environment.....	6
2	Physical structure.....	7
2.1	Physical structure.....	7
2.2	Weight.....	8
2.3	Interface definition.....	8
3	Installation description.....	10
3.1	Precautions.....	10
3.2	Installation conditions.....	10
3.3	Device connection.....	10
3.3.1	Connect the power adapter.....	10
3.3.2	Connecting a PC.....	10
3.4	Installation.....	11
3.5	Installation steps.....	11
3.5.1	Horizontal pole installation.....	11
3.5.2	Vertical pole installation.....	12
3.6	Acceptance.....	13
3.6.1	checking physical installation.....	13
3.6.2	checking reader performance.....	13
4	Common failure phenomenon.....	14

4.1 Daily maintenance.....	14
4.2 Common failure analysis & resolutions.....	14
5, Packaging, accessories, transportation & storage.....	15
5.1 Packaging:.....	15
5.2 Accessories.....	错误! 未定义书签。
5.3 Storage requirements.....	16
6. After-sale service.....	17

1 Technical specifications

1.1 Product features

CL7206B6A is a high performance UHF RFID device integrated 9dBi circular antenna and reader all in one. Supports ISO18000-6C/6B protocols. The work frequency includes China standard dual frequency 920MHz ~ 925MHz and 840MHz ~ 845MHz, FCC 902MHz ~ 928MHz and ETSI 865MHz ~ 868MHz.

Output power from 18 ~ 25dBm optional, with long identification distance, strong anti-interference ability, good protection performance and easy installation

1.2 Main functions & technical specifications

1.2.1 The main function

- Air interface protocol: supports all mandatory commands ISO18000-6C
- Rich communication interfaces (serial, RS485)
- Support tag data filtering
- RF output power adjustable
- Operating modes: fixed frequency / hopping optional
- Support online upgrade
- I / O interface: 1 optocoupler input, 1 pair 5V relay output or wiegand output (wiegand output is shared with 5V relay output)

1.2.2 Performance Parameters

- Working frequency: GB 920MHz ~ 925MHz, GB 840MHz ~ 845MHz, FCC 902MHz ~ 928MHz, ETSI 865MHz ~ 868MHz
- RF output power (Port): 25dBm ± 1dB (MAX)
- Output power adjustment: 1 dB step-by-step
- Read the label from the 0 to 6 m (and tag antenna and the use of environment-related)
- Channel bandwidth: <200KHz
- Built circularly polarized antenna VSWR: ≤1.2: 1
- Built-in circularly polarized antenna gain: ≥8dBi
- RS232 serial communication rate: 115200bps (default), 19200 bps, 9600bps
- RS485 interface communication rate: 115200bps (default), 19200 bps, 9600bps
- Support: Wiegand 26, 34, 66 interfaces

- Power (power adapter): AC input 100V ~ 240V, 50Hz ~ 60Hz

DC output 24V±1.5V/2.5A

- High degree of protection: IP65

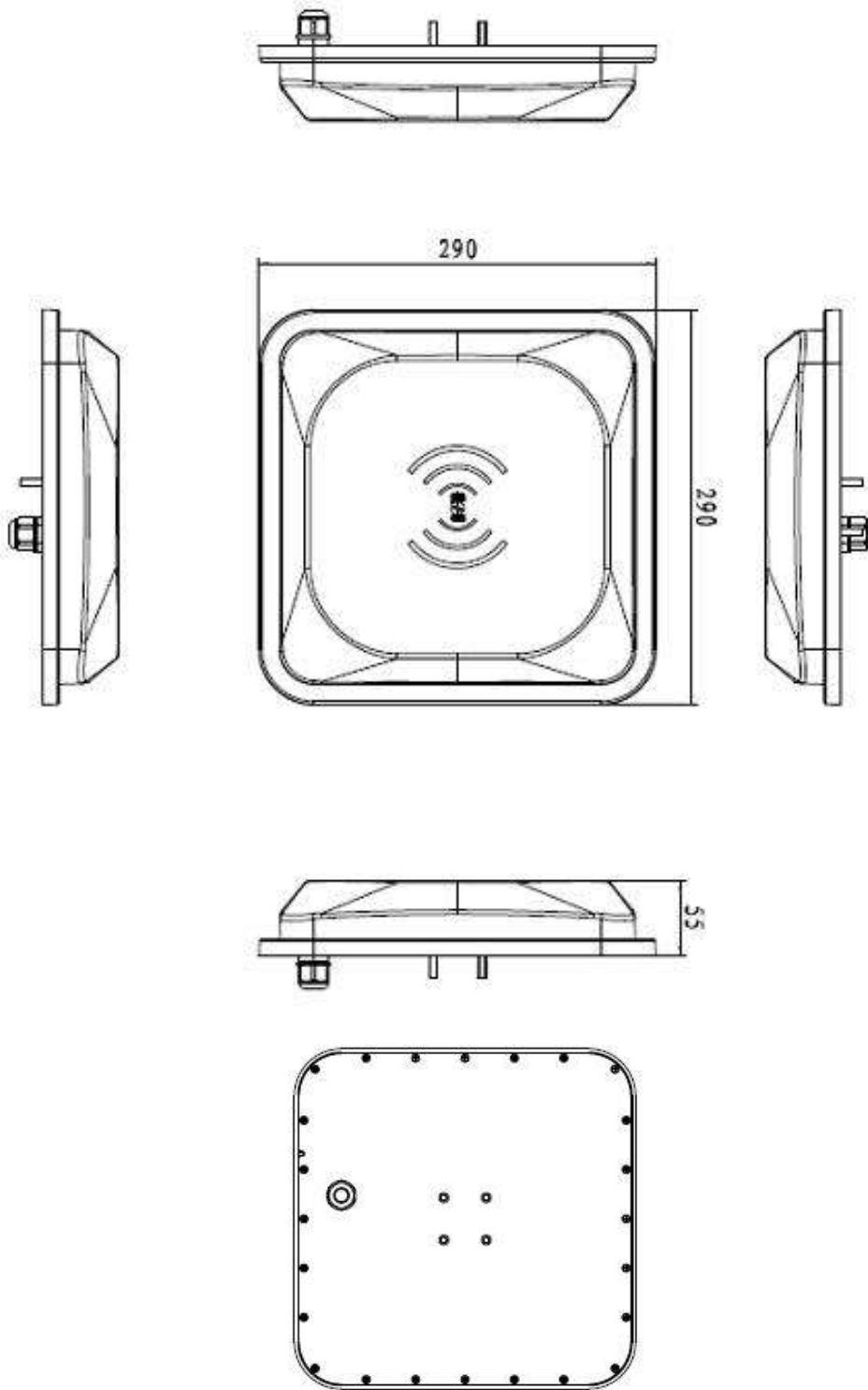
1.2.3 Work Environment

Operating temperature range: -20 °C ~ + 70 °C

Relative humidity: 5% RH ~ 90% RH (+ 25 °C)

2 Physical structure

2.1 Physical structure



Pic 2- 1 CL7206B6A physical structure

CL7206B6 reader size

290mm×290mm×55mm(accessories not included)

2.2 Weight

1.6kg (accessories not included)

2.3 Interface definition

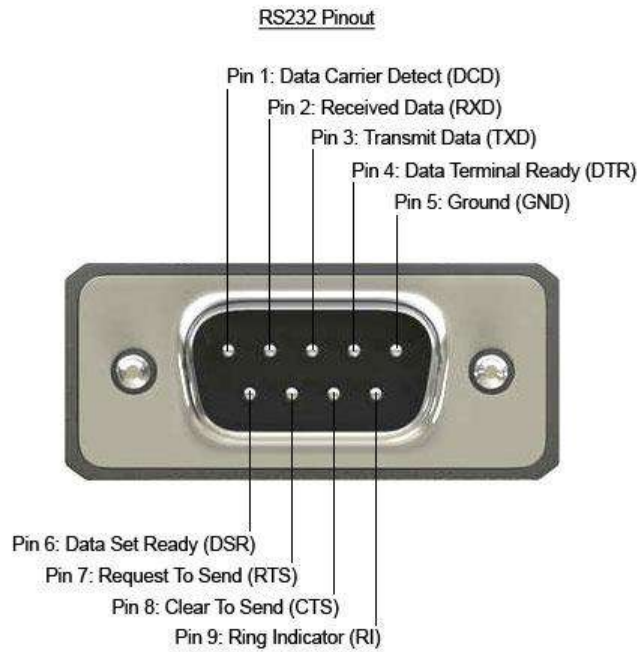
This reader use 14 cores cable for power support and data communication. Detailed definitions as in following table:

No.	Color	Definition
1	Black	GND
2	Brown	GND
3	Red	24V
4	Orange	GPO2/wiegand 1
5	Yellow	GPO1/ wiegand 0
6	Green	GPI
7	Blue	N/A
8	Purple	N/A
9	Grey	N/A
10	White	N/A
11	Light blue	RS485 -
12	Light green	RS485 +
13	Brown white	Serial port receive (RXD)
14	Black white	Serial port transmit (TXD)

For reader RS232 wire connection, please refer to below information:

Below is the pin-out of a typical standard male 9-pin RS232 connector, this connector type is also referred to as a DB9 connector.

A computer's serial COM port (DTE) is usually a male port as shown below, and any peripheral devices you connect to this port usually has a female connector (DCE).



Pin	Signal Name	Dir	Description	Connect to reader
1	DCD	In	Data Carrier Detect	
2	RXD	In	Receive Data	14 - Black/white
3	TXD	Out	Transmit Data	13 - Brown/white
4	DTR	Out	Data Terminal Ready	
5	0V/COM	—	0V or System Ground	1 - Black
6	DSR	In	Data Set Ready	
7	RTS	Out	Request to Send	
8	CTS	In	Clear to Send	
9	RI	In	Ring Indicator	

3 Installation description

3.1 Precautions

In order to ensure normal and stable operation of the equipment and your personal and property safety, please carefully read the following notes before installing CL7206B6A reader device:

1. First check whether the outlet is connected to the ground, and check if the local power supply voltage meet reader voltage requirements;
2. Check if the device is connected tightly;
3. Pay attention to the serial cable type selection and length restrictions;
 - Serial port cable length 5m maximum.
 - RS485 length 80m maximum.
4. When installing multiple readers, the antenna position and the antenna spacing should be appropriate to avoid interference with each other.
5. Please test & ensure the reader can work normally before using it.

3.2 Installation conditions

Before installing the reader, please carefully check and confirm the product is intact, the accessories are complete, if there are any damages or shortage, please contact your supplier.

3.3 Device connection

3.3.1 Connect the power adapter

Connect power adapter to AC power socket, and tighten the other end to reader's power port.

3.3.2 Connecting a PC

☆ Reader cable interface includes all signal cords in the interface definition table.

☆RS-232 interface is used for short-range communication (less than 5m), can be connected to a PC via DB9 connector for communication.

☆ R485 port is used for longer range serial port communications (less than 80m);

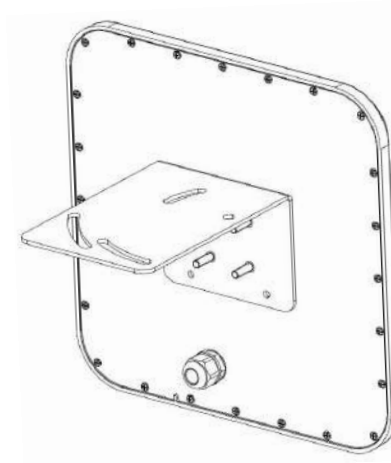
3.4 Installation

The reading and writing range of the reader depends on the on-site application, the tilt angle of the antenna is adjusted to achieve the best reading and writing performance.

3.5 Installation steps

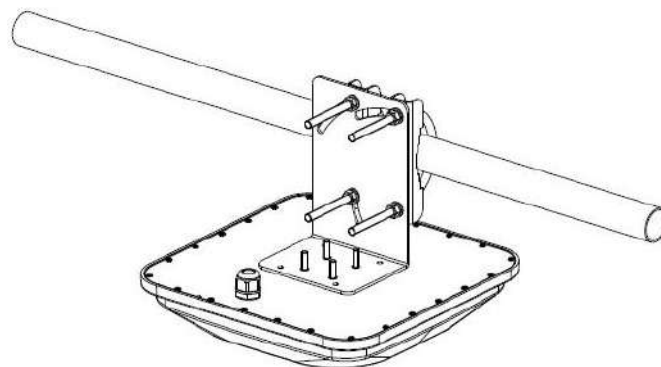
3.5.1 Horizontal pole installation

(1) Align the L-shaped mounting bracket against the screw poles on bottom of reader housing, then install the rubber and screw the M6 nuts, refer to pic 3-1:



Pic 3- 1 L-shaped mounting bracket installation

(2) Using two U-bolts and two toothed installation bracket to fix the reader on vertical rod through the L-bracket. As per illustrated in picture 3-2.



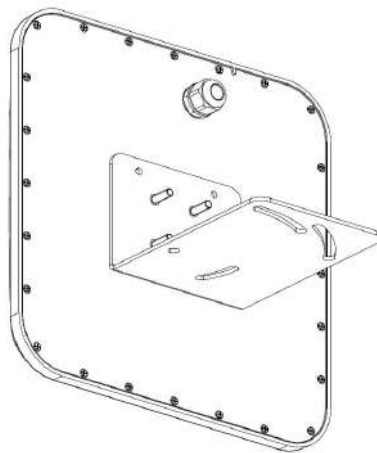
Pic 3- 2 Horizontal pole installation

3.5.2 Vertical pole installation

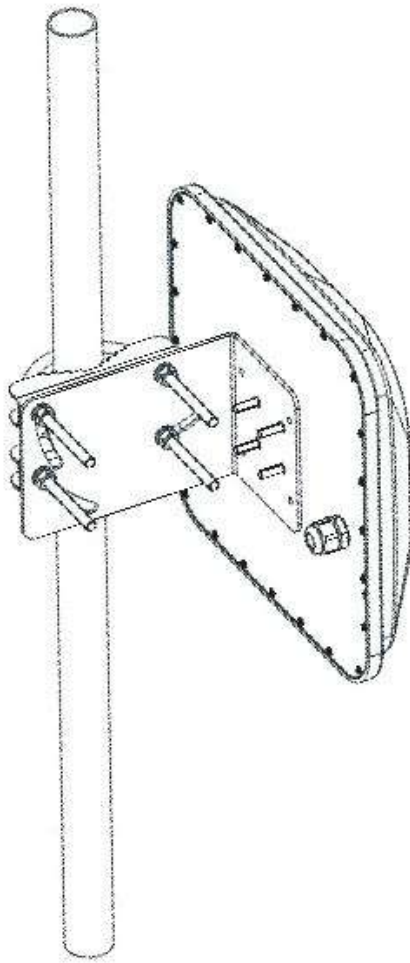
(1) Align the L-shaped mounting bracket against the screw poles on bottom of reader housing, then install the rubber and screw the M6 nuts, refer to pic 3-3:

(2) Using two U-bolts and two toothed installation bracket to fix the reader on vertical rod through the L-bracket, refer to pic 3--4.

Note: This installation method is suitable for 50mm ~ 100mm diameter horizontal pole.



Pic 3- 3 L-shaped mounting bracket installation



Pic 3-4 Vertical pole installation

3.6 Acceptance

3.6.1 Checking physical installation

Check & ensure the reader is fixed safely;

Check & ensure cables are connected securely.

Check & ensure screws are screwed firmly.

3.6.2 Checking reader performance

☆ check & confirm the reader is working normally;

☆ check & confirm the reading range is set properly.

4 Common failure phenomenon

4.1 Daily maintenance

- ☆Check & ensure if the RF connector is fixed firmly
- ☆Check & ensure the screw that fixes reader & antenna is not loose.
- ☆Check & ensure the RF cable connection point skin is not peeling off.
- ☆Check & ensure if the power supply cable is connected well.

4.2 Common failure analysis & resolutions

☆Power supply abnormal

Check if the power supply is in normal status, if the AC power voltage is 100V~240V.

☆Serial port failed connection

Check if the serial port cable is connected stable or not.

Check if the serial port connection baud rate is correct.

Check if the serial port number is correct.

☆Reader can not read tag.

- Check if antenna number is set correctly. If antenna is connected with 1# RF port, then
Please ensure to select 1# antenna in software interface.
- Check if tag is damaged. If cannot get ID number, you can use another reader to read this tag to
judge if this tag is damaged.
- Check if tag is placed in effective reading range.
- Check if the electromagnetic interference between the reader and the other device.

For the problems which cannot be solved locally, please contact Hopeland after-sales for repairing.

5, Packaging, accessories, transportation & storage.

5.1 Packaging:



Pic 6-1 carton box size

Packaging carton box size: 350 mm×350 mm×190mm

5.2 Accessories

Pic 6-2 accessories list

No.	Name	Material code	Unit	Qty	Remarks
1	CL7206B6A reader	26052835000002	1	pcs	Included
2	Power adapter 24V/2.5A	20109000000324	1	pcs	Included
3	AC power cable	20350000000195	1	pcs	Included
4	Installation bracket	20412000002647	1	pcs	Included
5	Warranty card	20420000001651	1	pcs	Included
6	Certificate of approval	20420000001650	1	pcs	Included

5.3 Storage requirements

Long time storage should be made in following conditions:

☆Environment temperature: $-40^{\circ}\text{C} \sim +85^{\circ}\text{C}$

☆Relative humidity: 5% RH \sim 95%RH

6. After-sale service

Letter to Customers

Since our aim is to continuously improve our products for better user experience, we may modify the product characteristics, composition and design of circuits without given notifications. Thus the real product may be not in accordance with this manual. Generally, we will provide timely amendments to this manual. If it's not provided timely, please consult our service department.

Shenzhen Hopeland Technologies Co., Ltd.

Email: support@hopelandrfid.com

Tell: +86-755 36901035

Website: <http://www.hopelandrfid.com>

Address: Clou Buliding, Baoshen Road, Hi-tech Park North, Nanshan District, 518057, Shenzhen, China

Guarantee card of Shenzhen Hopeland Technology Co.,Ltd

Product Name		Model No.	
Product Code		Level	
Description of troubles			
User's name		Postcode	
Contact person		Contact no.	

Address of factory: Block 3 of CLOU Electronics Industrial Park, Baolong Industrial City, Longgang

District ,Shenzhen, Guangdong, China

Customer service centre: +86-755 36901035

Warranty Description: In order to offer users better service, our company provide warranty card with each device, please keep it to enjoy the service.

1, Products can replace free under conditions within one month after sale, in the precondition of normal operation without repairing.

2, free maintenance won't be given under the following circumstance:

- ① The damage of the terminal caused by high voltage of the power grid.
- ② The damage caused by misuse or operated improperly.
- ③ The damage caused by excessive vibration when user delivering.

3, the software of this product can be upgraded freely, users can be training in our company for free.

4, will be charge appropriately if the user doesn't have a warranty card.

5, Users will need to fill out the warranty card for repair service, and sent back to Hopeland.